

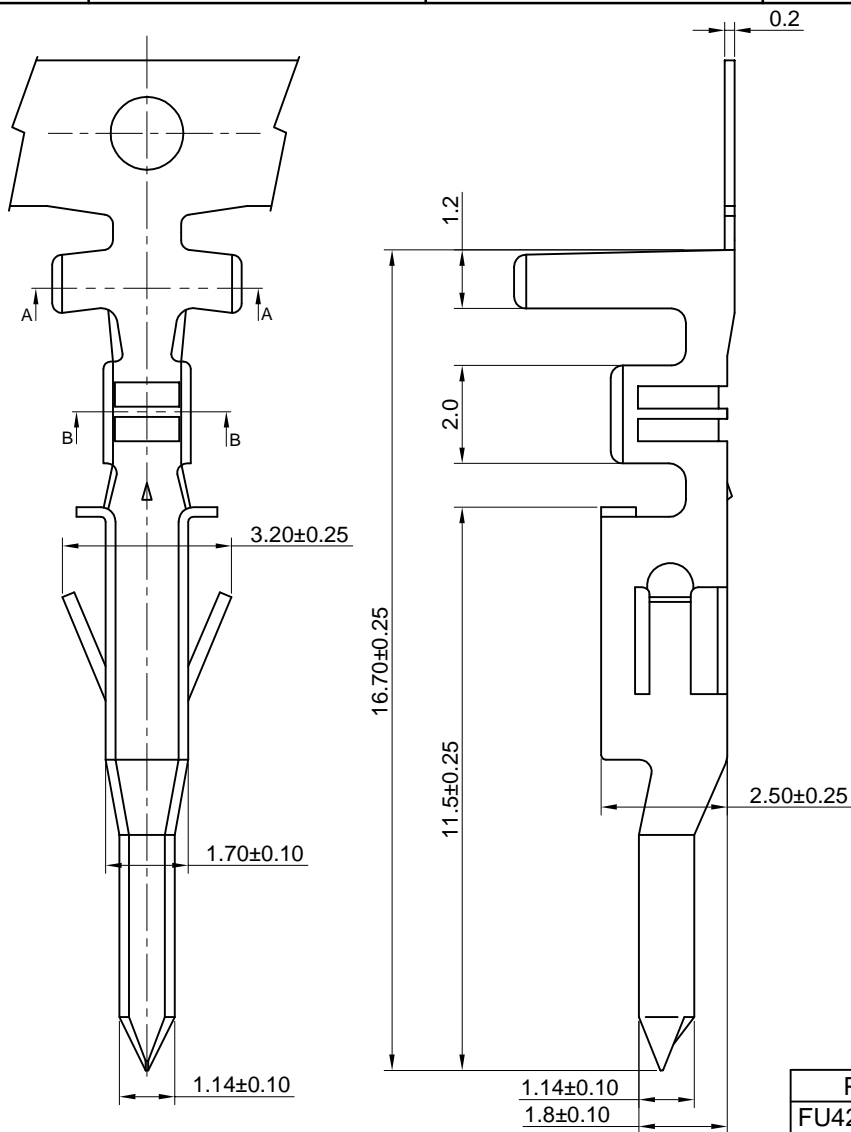
RoHS

CUST INFORMATION.

PART NO. NA	DRAWING NO. NA	REV. NA
----------------	-------------------	------------

Specifications:

- 1.Current rating:9A AC,DC
- 2.Voltage rating:600V AC,DC
- 3.Temperature range:-40°C~+105°C
- 4.Contact resistance:10mΩMax.
- 5.Insulation resistance:1000MΩMin.
- 6.Withstanding voltage:1500V AC/minute
- 7.Spec. PLS. Refer To PS-FU4201/4202



Part No.	Wire Range	Insulation O.D.	Material	Finish	Qty/reel
FU4202-T0B-B1	AWG#18~#24	3.10mm Max	Brass	Tin over Nickel	10000Pcs
FU4202-T1B-B1	AWG#16	4.30mm Max	Brass	Tin over Nickel	10000Pcs

Part No.	A	B	C	D
FU4202-T0B-B1	4.50	3.60	2.30	1.90
FU4202-T1B-B1	4.50	3.60	2.75	2.85

TOLERANCE		PART NO.		东莞市福朗连接器制造有限公司	
X.XXX ±0.1		FU4202-TXB-B1		DongGuan FuLang Connector Manufacturing Co., LTD	
X.X ±0.30		DRAWING NO.		TITLE.	
X.XX ±0.20	Angular ±2°	C-FU4202-TXB-B1		4.20mm Crimp Style Connectors	
		UNIT:	APPROVED BY	CHECKED BY	DRAWN BY
		mm			
DWG TYPE.				PAGE	REV.
Customer Drawing				10F1	A
				SCALE	
				10:1	

A		For New Drawing	GuobaoLi	2018.01.02
REV.	ECN NO	REVISION RECORD	DRAW	DATE